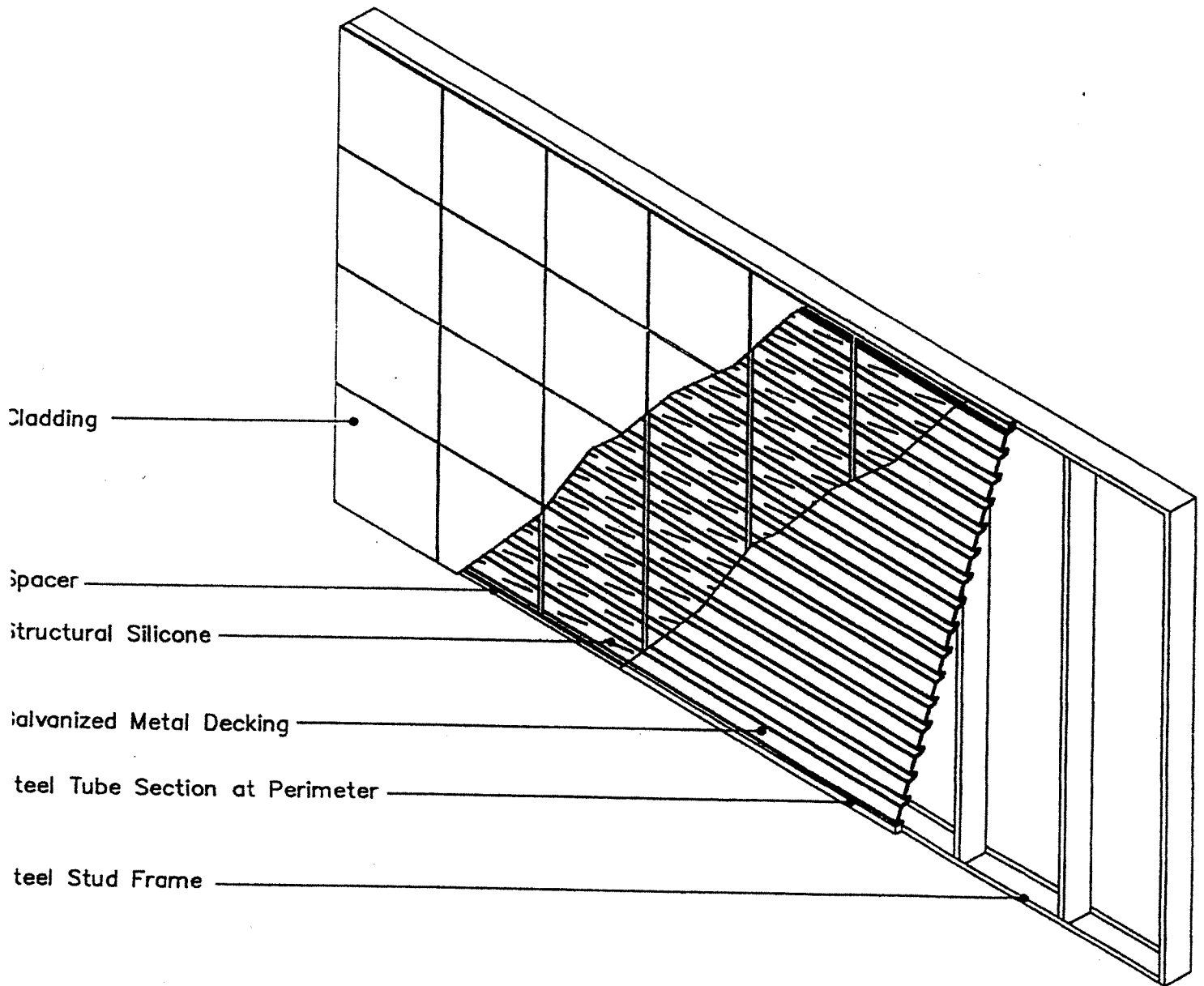
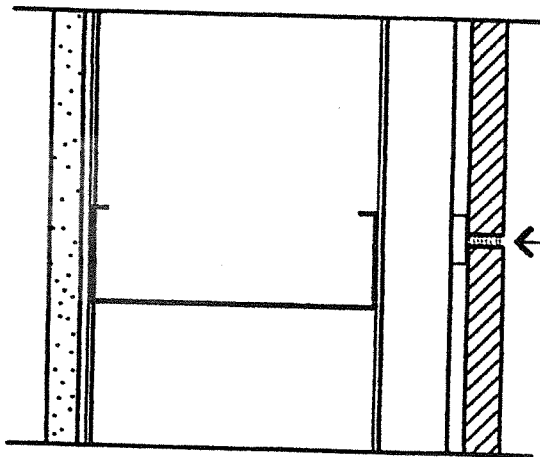


## INDEX

D1	CYGNUS WALL COMPOSITION
D2	JOINT DETAILS
D3	SPANDREL CONNECTION
D4	PUNCHED WINDOW
D5	CORNER PANEL
D6	VENTED WALL
D7	SMALL CLADDING UNITS
D8	ADHERED SYSTEM HORIZ. JOINT
D9	COMPOSITE PANEL HORIZ. JOINT
D10	COMPOSITE PANEL GUTTER WEEP
D11	SHEAR WALL
D12	DEAD LOAD FASTENER
D15	WIND LOAD CONNECTION
D16	ADJUSTABLE WIND LOAD CONNECTION
D17	GRAVITY LOAD CONNECTION
D18	RAIN SCREEN WALL
D19	WEEP DETAIL
D20	TYPICAL CYGNUS DIMENSIONS

# CYGNUS PANEL COMPOSITION



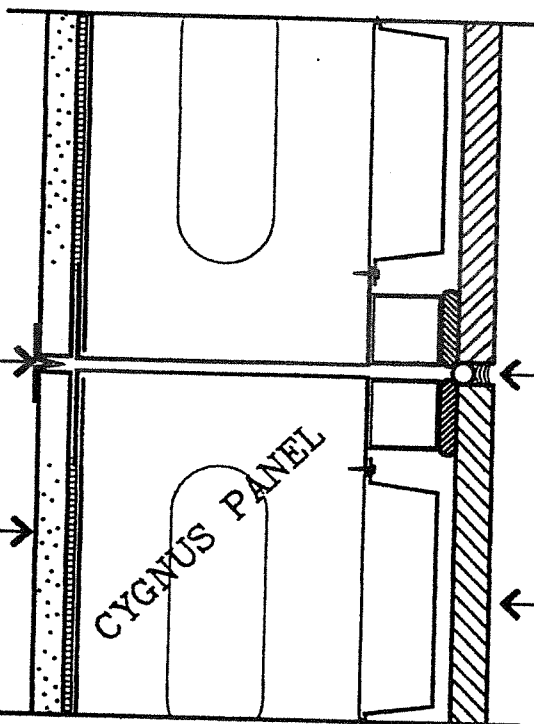


VERTICAL TO DECKING

BETWEEN CLADDING UNITS

VINYL FOAM TAPE CONTINUOUS THEN CAULK, TAPE SPANS DECK VALLEYS

NOTE: WITH NON-GAGED CLADDING USE BACKER ROD IN LIEU OF VINYL FOAM TAPE

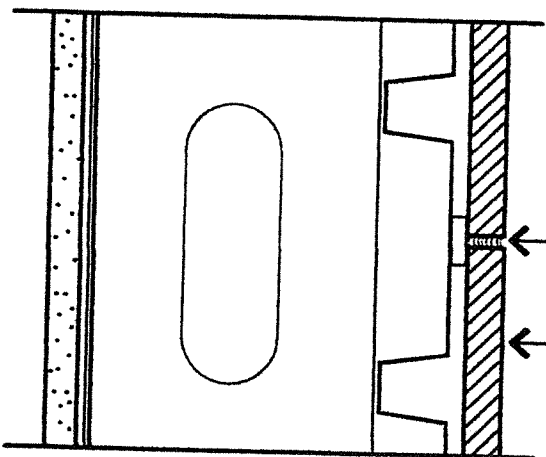


BETWEEN PANELS

NOTE: JOINT WIDTH BETWEEN PANELS CALCULATED FROM TEMPERATURE CHANGE & PANEL SIZE.

ROD & CAULK

CLADDING



HORIZONTAL TO DECKING

BETWEEN CLADDING UNITS

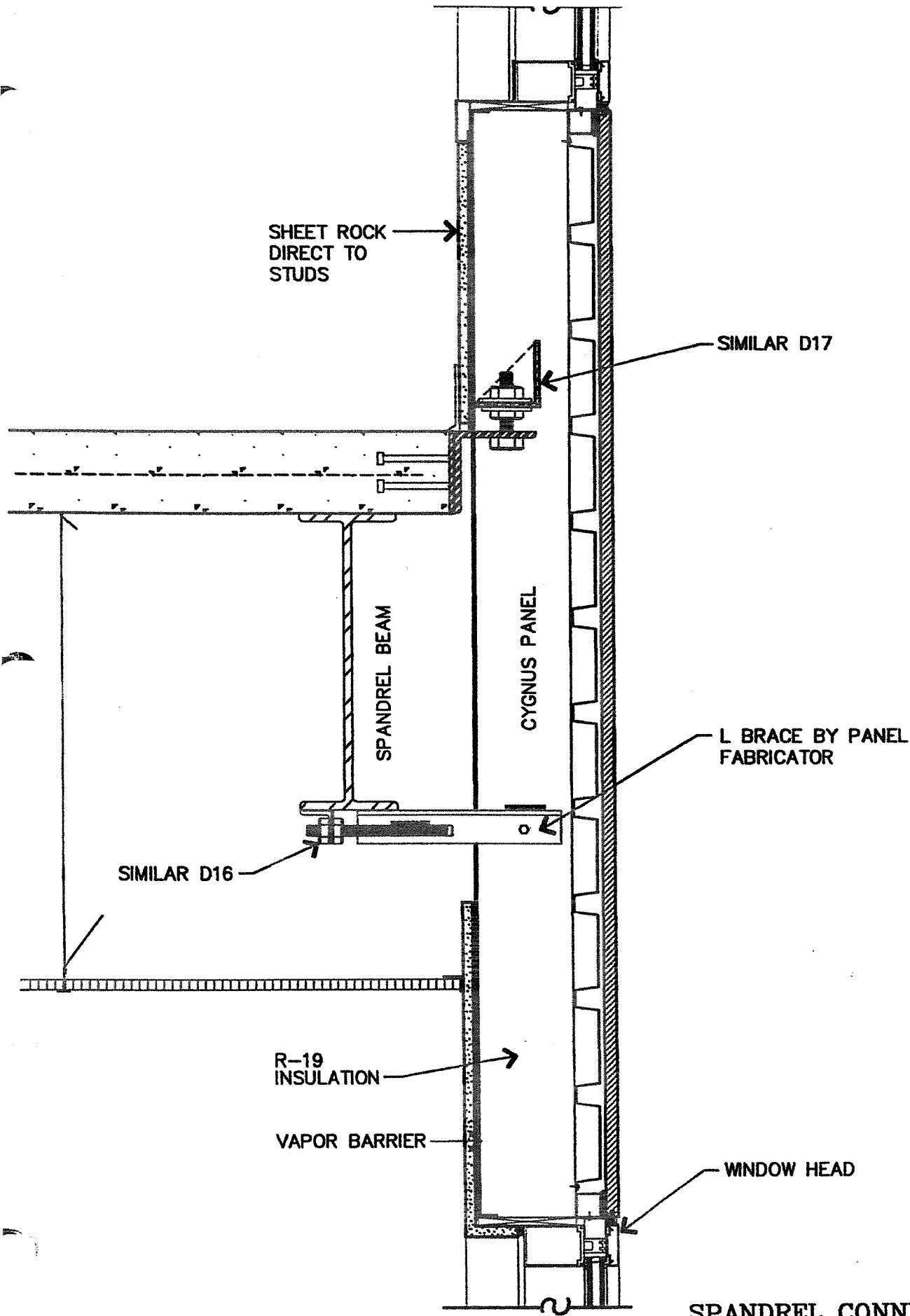
VINYL FOAM TAPE DISCONTINUOUS, THEN CAULK

CLADDING

D2

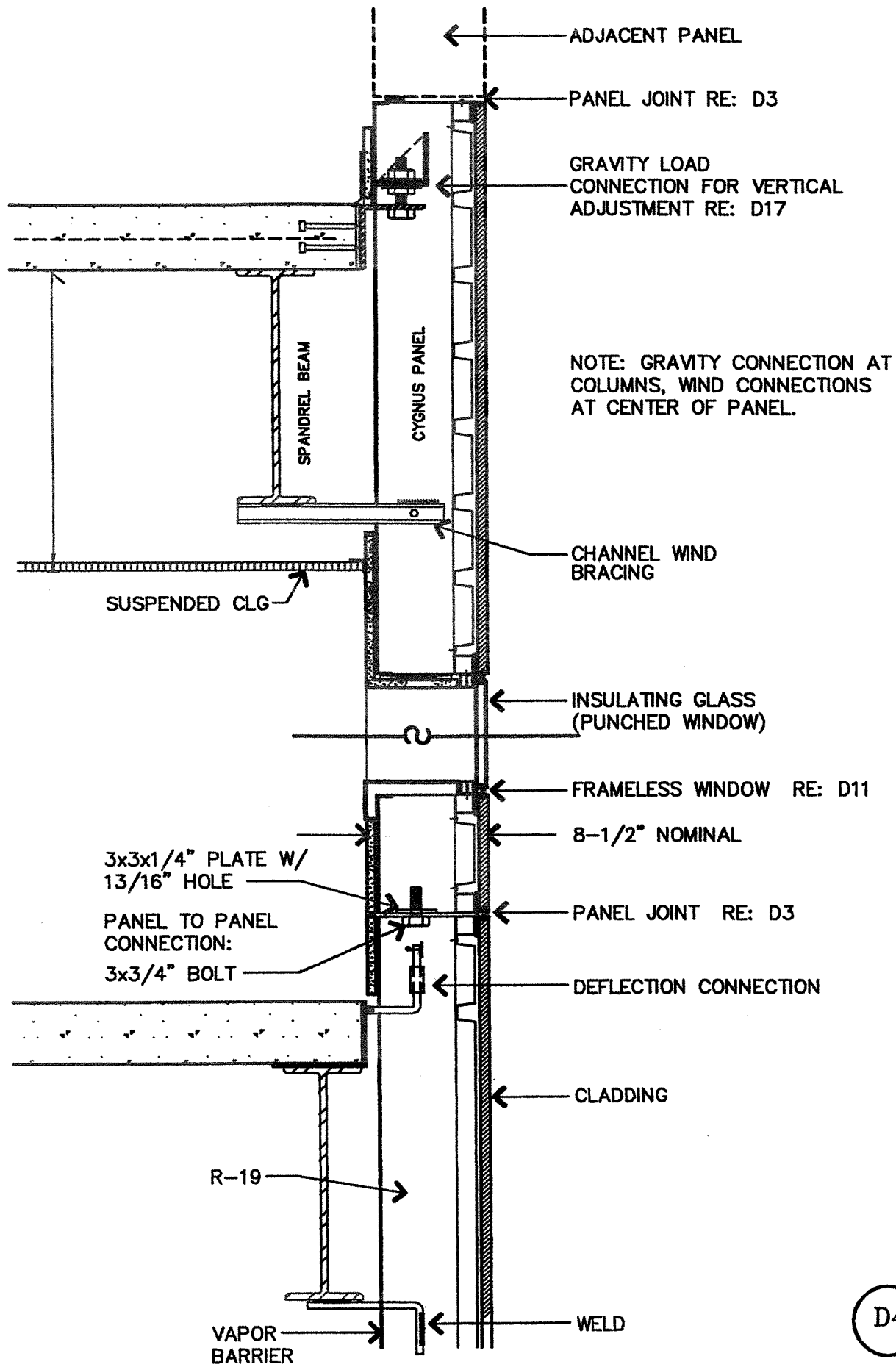
JOINTS

FIELD JOINTS  $\geq 3/16"$



D3

SPANDREL CONNECTION

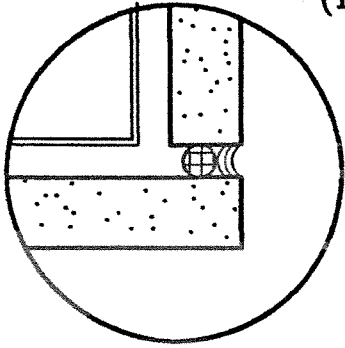


NOTE: GRAVITY CONNECTION AT COLUMNS, WIND CONNECTIONS AT CENTER OF PANEL.

D4

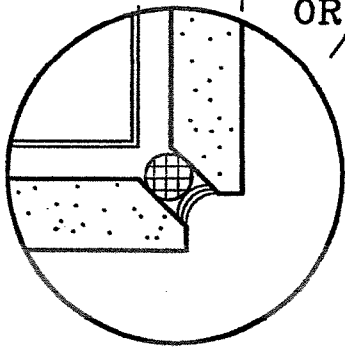
PUNCHED WINDOW

(PREFERRED)

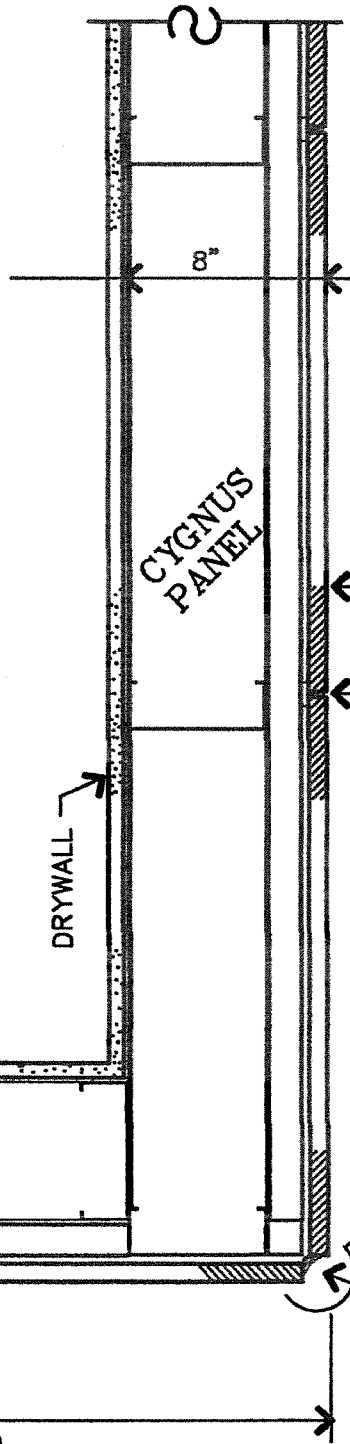


$3/4" \pm$

OR



CORNER MITRE W/  
STONE CLADDING



CLADDING

CAULK

CLADDING

BLDG. DIMENSION

CAULK

PREFERRED W/ CERAMIC

ADJACENT  
PANEL

PANEL JOINT

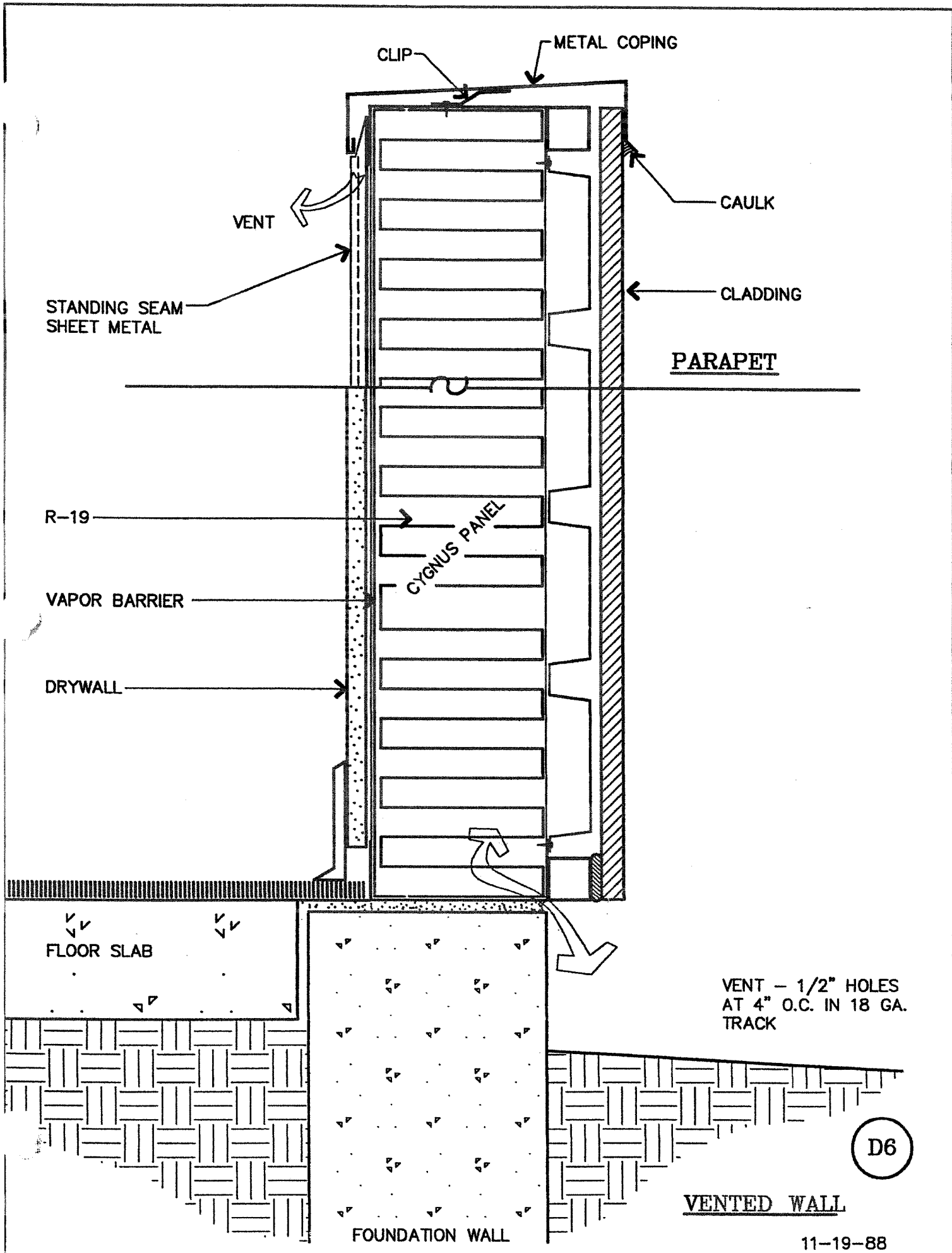
DRYWALL

VARIES  
AS REQUIRED

D5

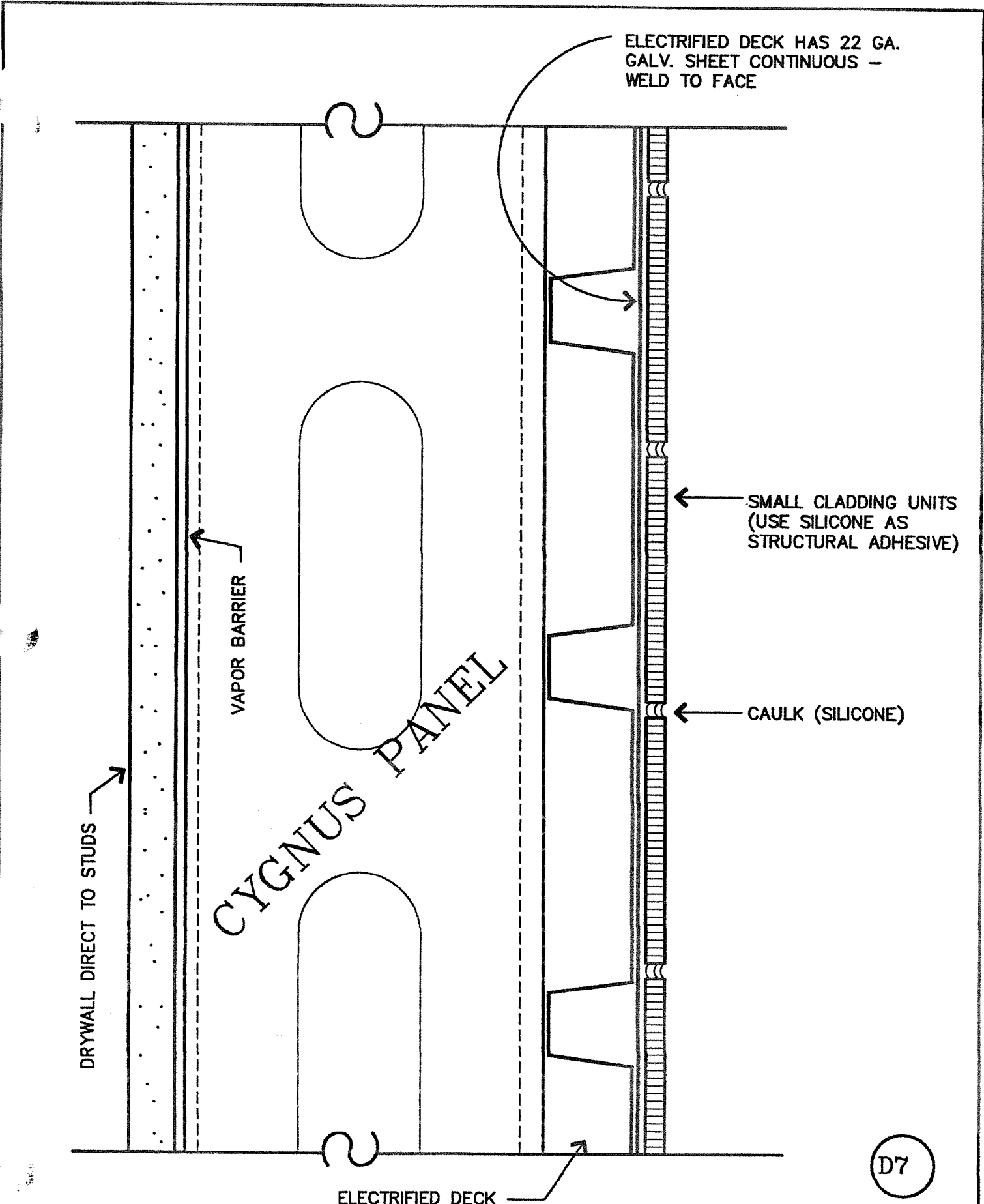
CORNER PANEL

11-19-88



D6

VENTED WALL



**SMALL CLADDING UNITS**

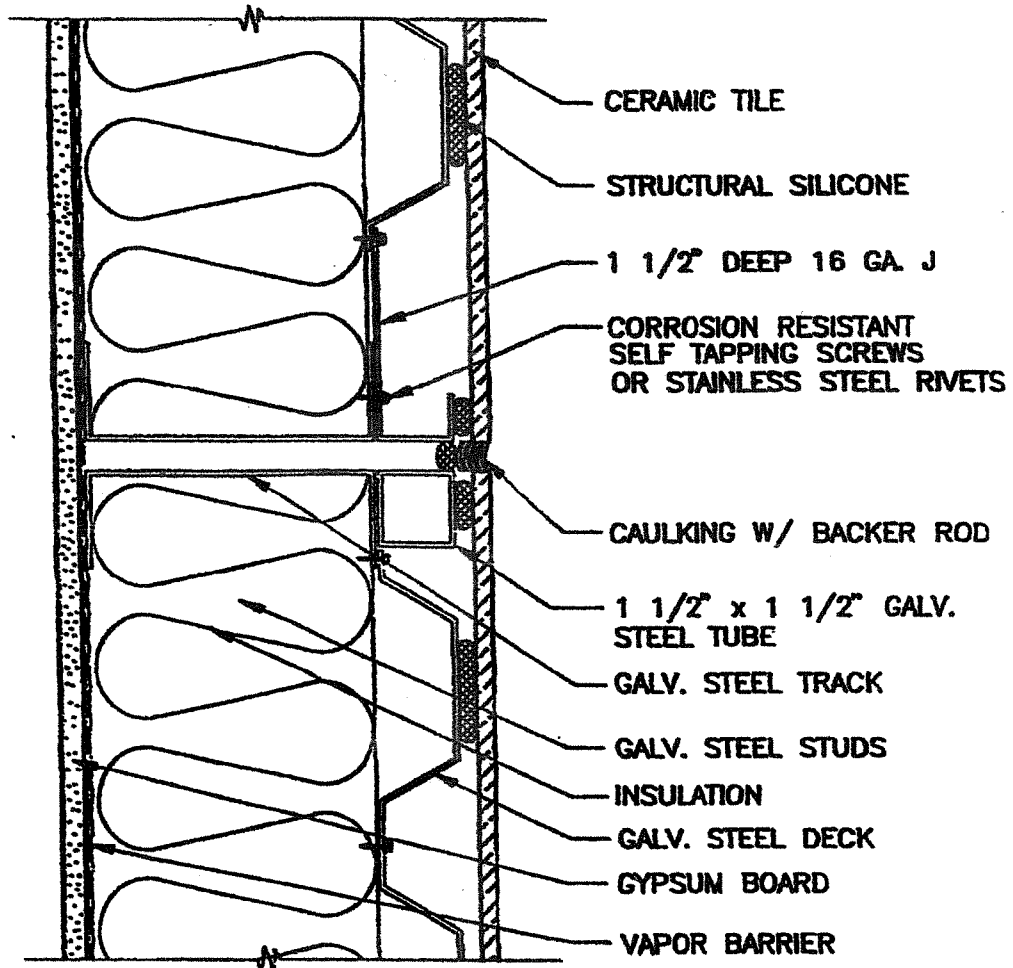
SMALLEST PRACTICAL UNIT 4"x8"

11-19-88

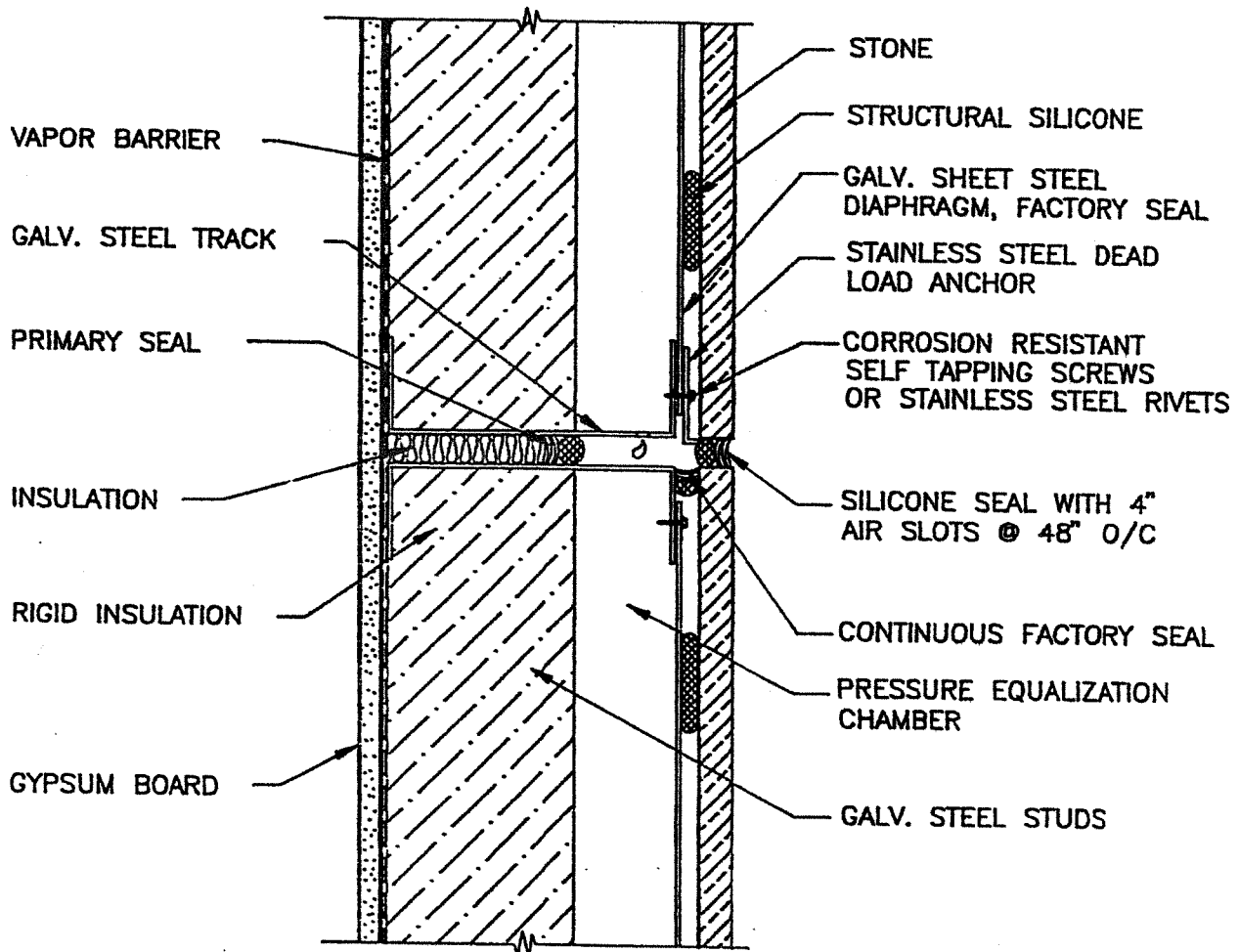


ADHERED SYSTEM

PANEL TO PANEL — HORIZONTAL JOINT

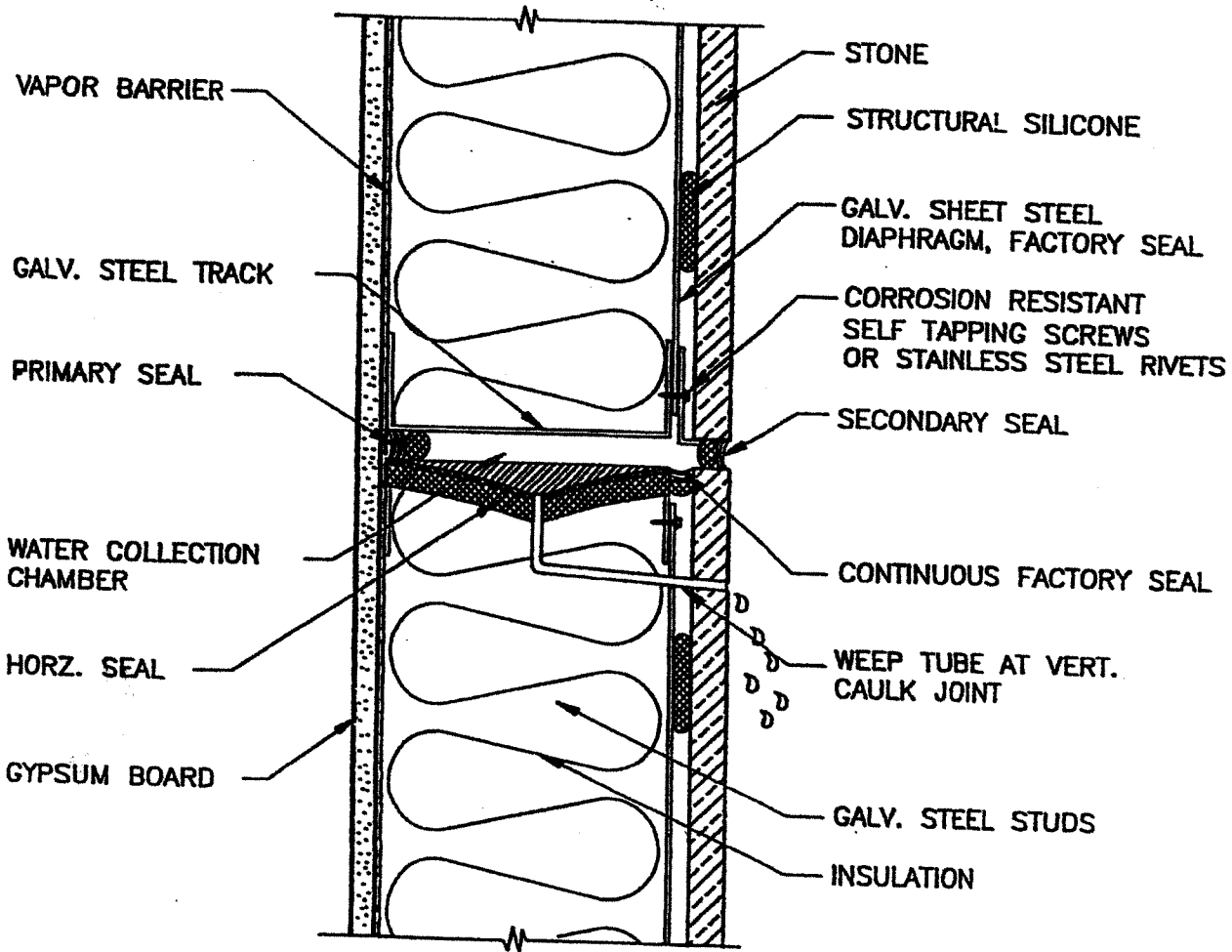


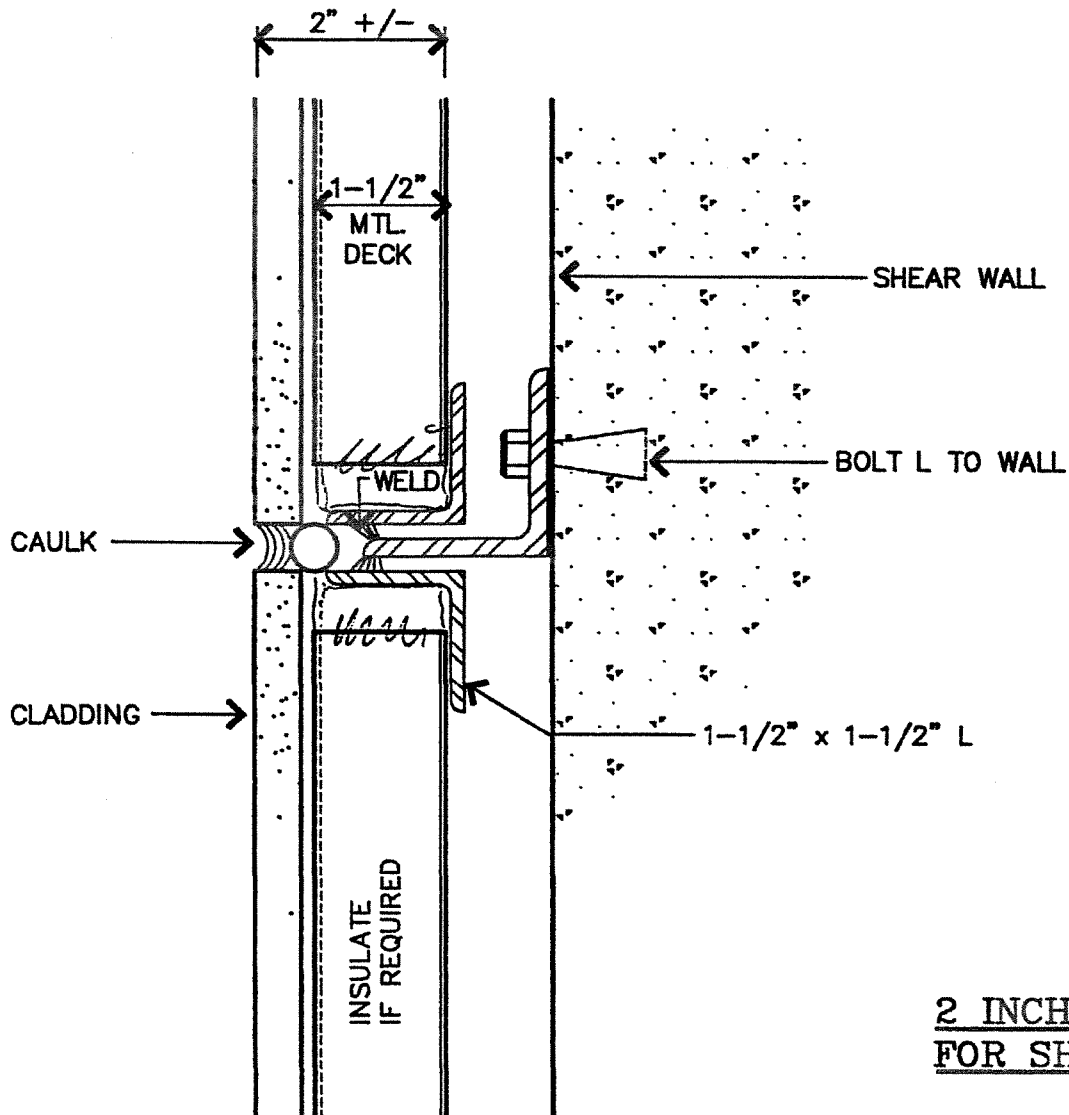
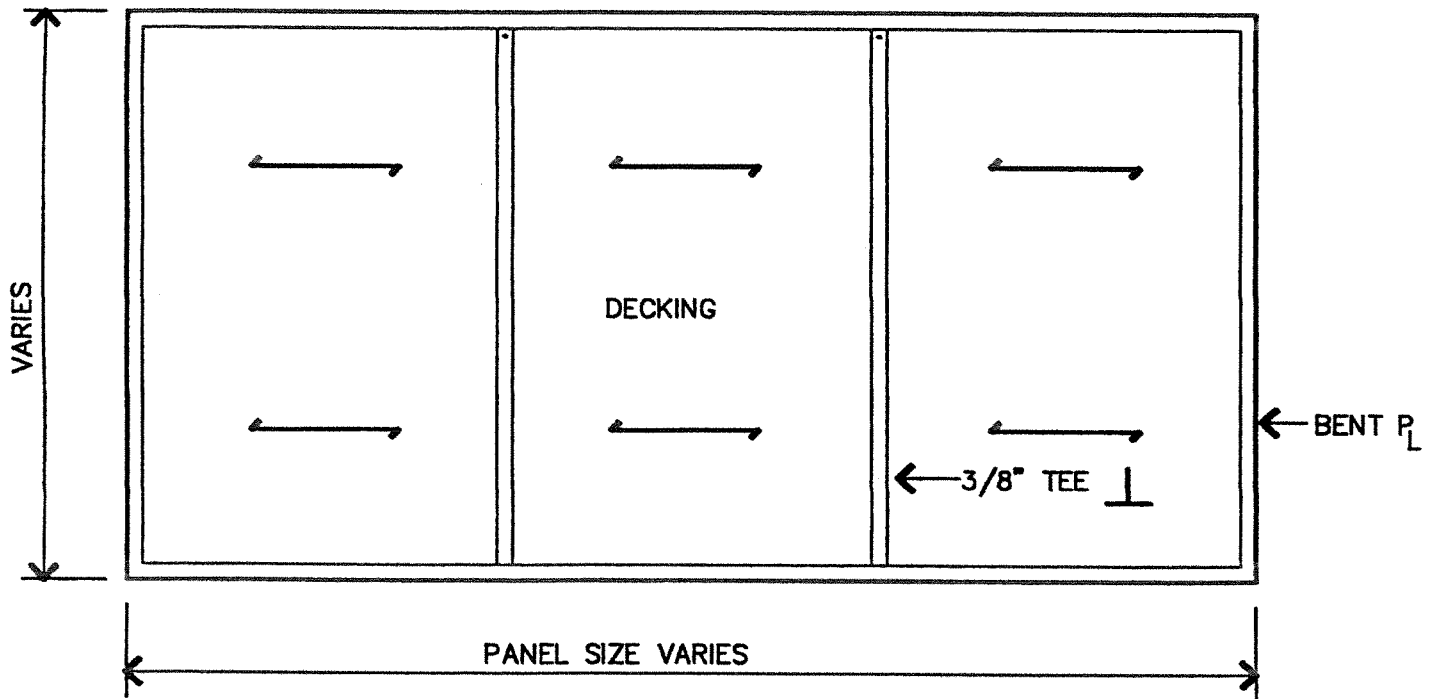
COMPOSITE PANEL  
 PANEL TO PANEL – HORIZONTAL JOINT  
 PRESSURE EQUALIZATION CHAMBER



# COMPOSITE PANEL

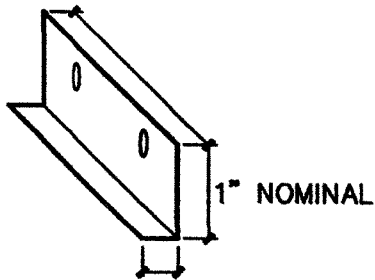
## PANEL TO PANEL — HORIZONTAL JOINT GUTTER WEEP SYSTEM — COMPOSITE PANEL SECTION CUT BETWEEN ENDS OF SPANDREL PANELS





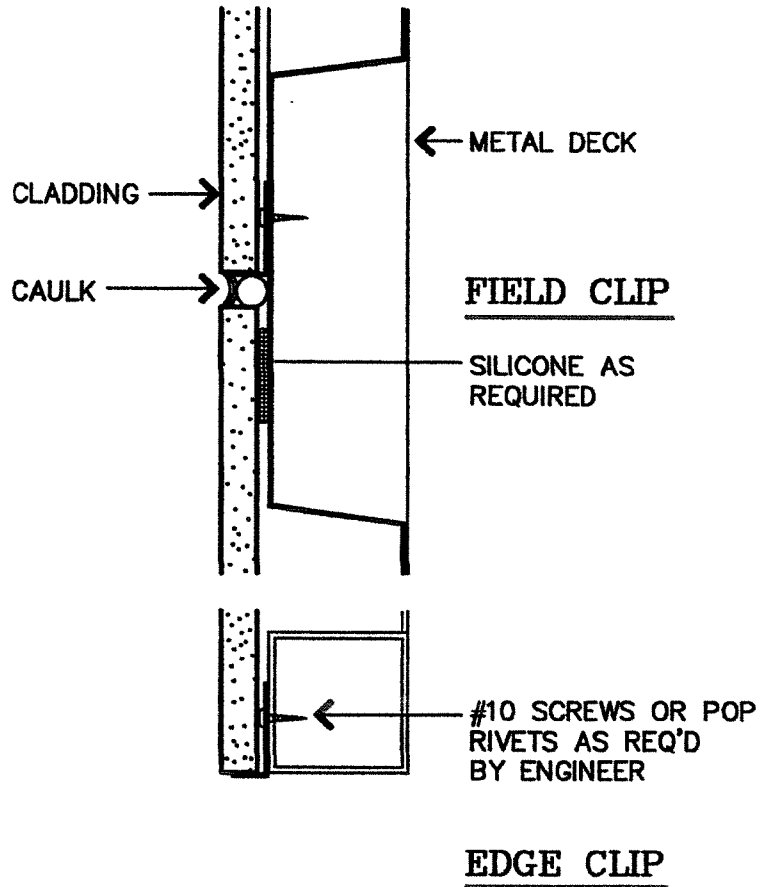
D11

2 INCH PANEL  
FOR SHEAR WALL



**STAINLESS STL CLIP**  
**.062 SS 300 SERIES**

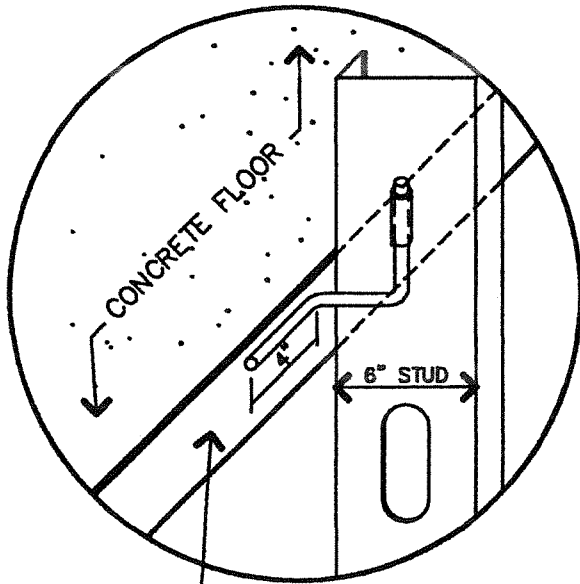
NOTE: DIMENSIONS AS REQ'D  
 BY CLADDING CHARACTERISTICS



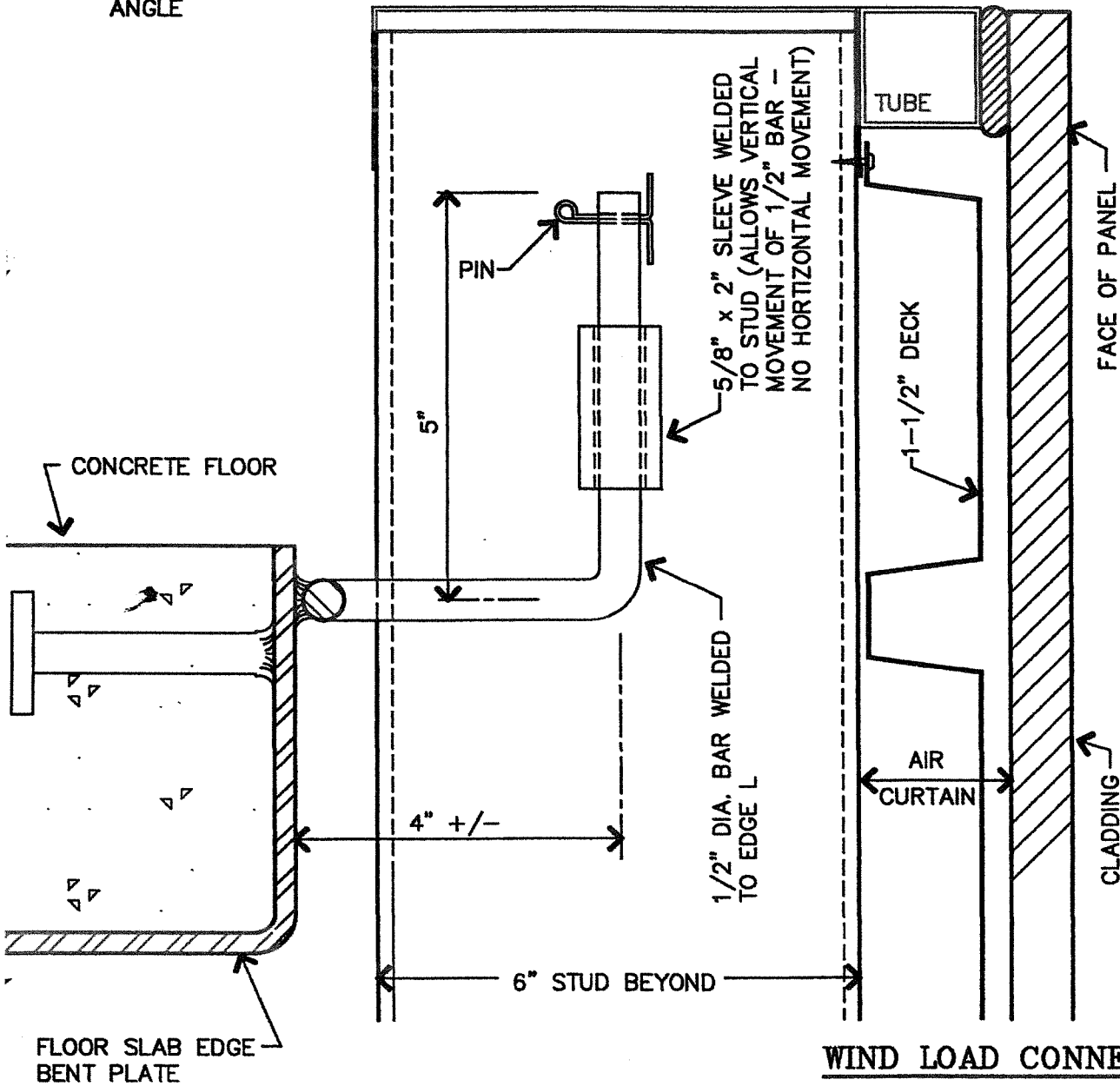
**NOTE:** CLIP HANDLES DBL. VERTICAL DEAD LOAD SILICONE HANDLES  
 HORIZONTAL WIND LOAD

D12

**DEAD LOAD FASTENER**



FACE OF EDGE ANGLE



D15

**WIND LOAD CONNECTION**  
(ALLOWS FLOOR DEFLECTION)

GRAVITY LOAD CONNECTIONS IN FLOOR AT COLUMN

16 GA. MTL STUD

CYGNUS PANEL

WELD AFTER ALIGNMENT

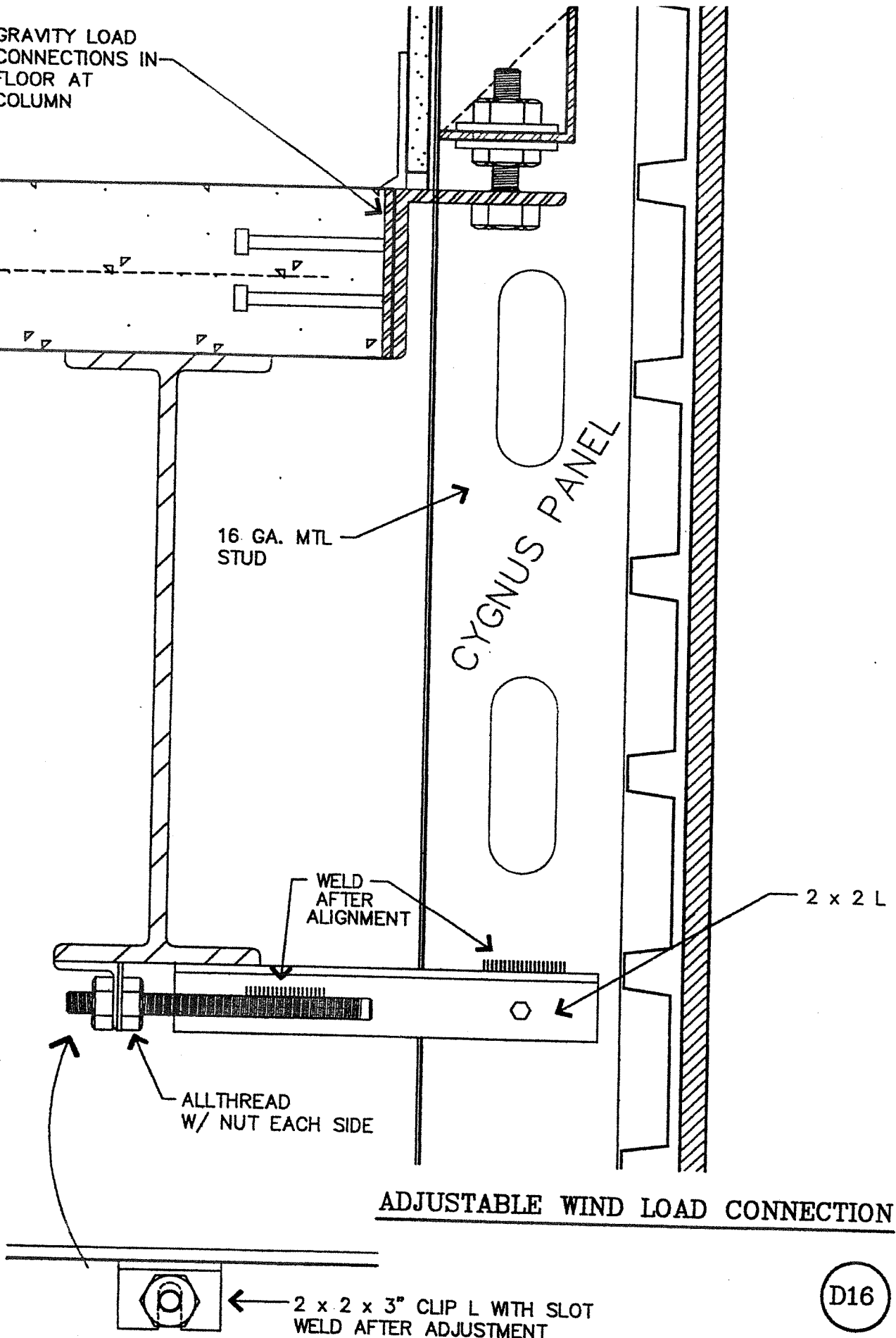
2 x 2 L

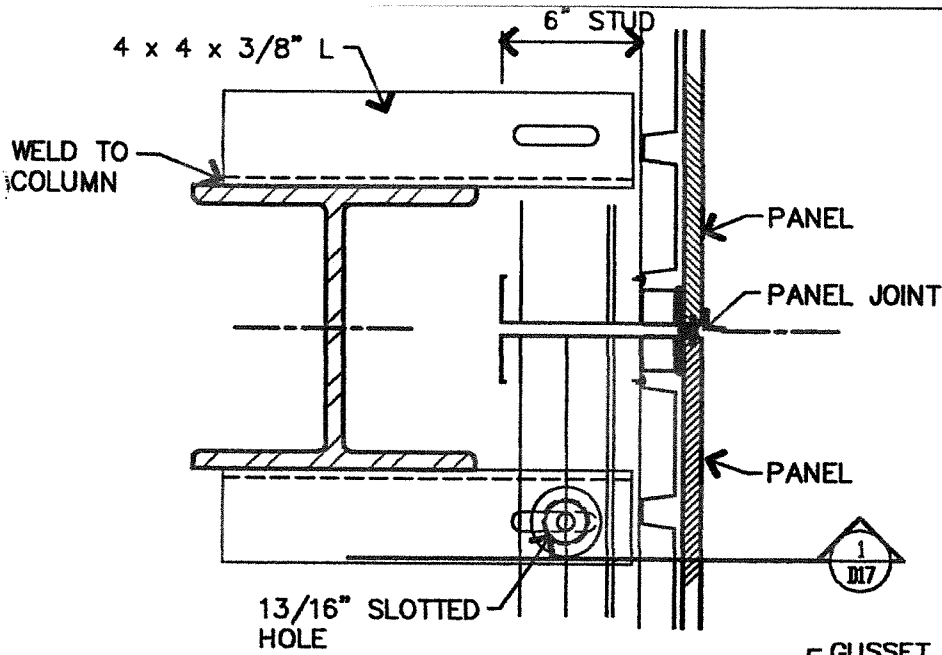
ALLTHREAD W/ NUT EACH SIDE

ADJUSTABLE WIND LOAD CONNECTION

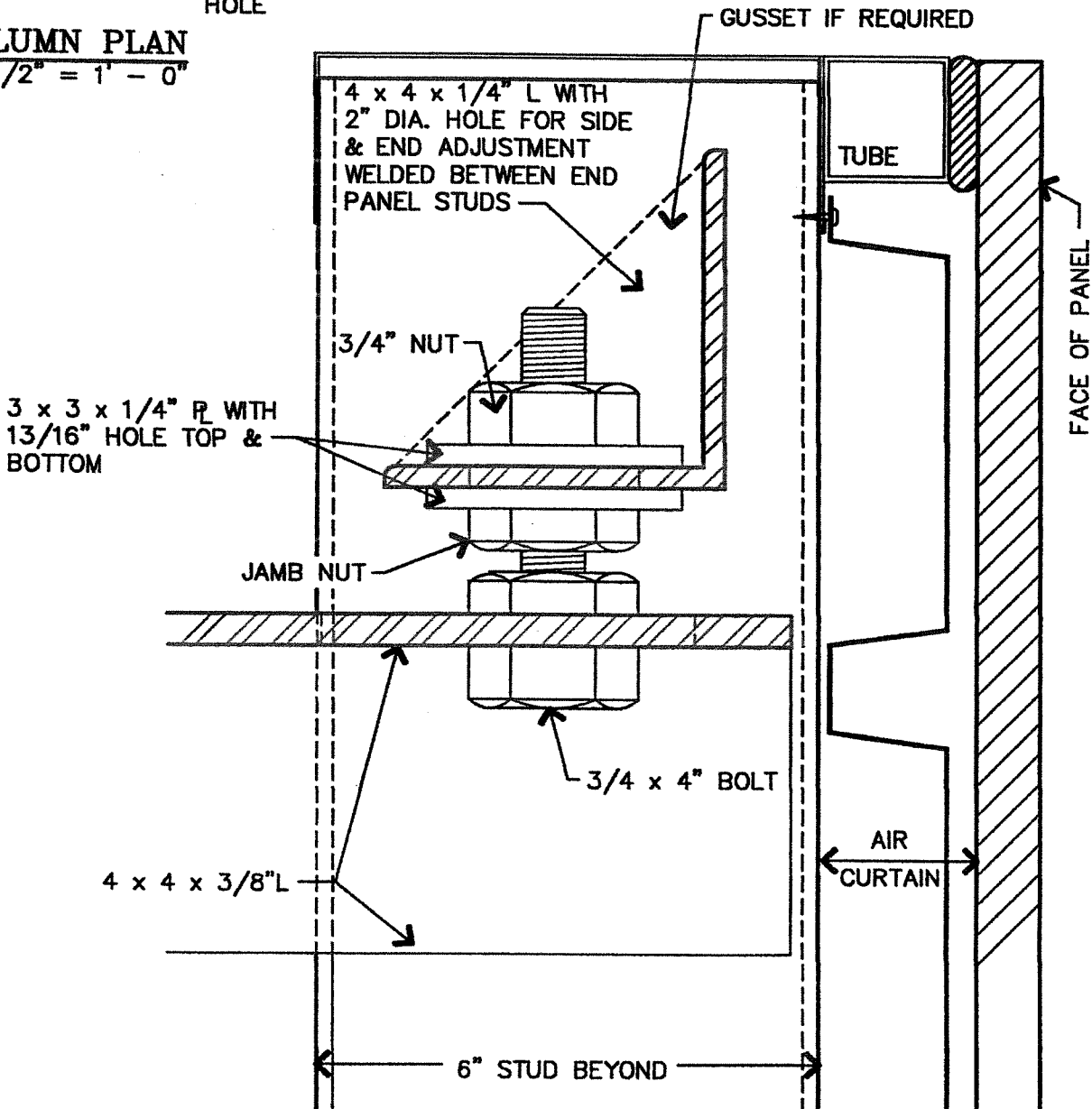
2 x 2 x 3" CLIP L WITH SLOT WELD AFTER ADJUSTMENT

D16





**COLUMN PLAN**  
 1-1/2" = 1' - 0"

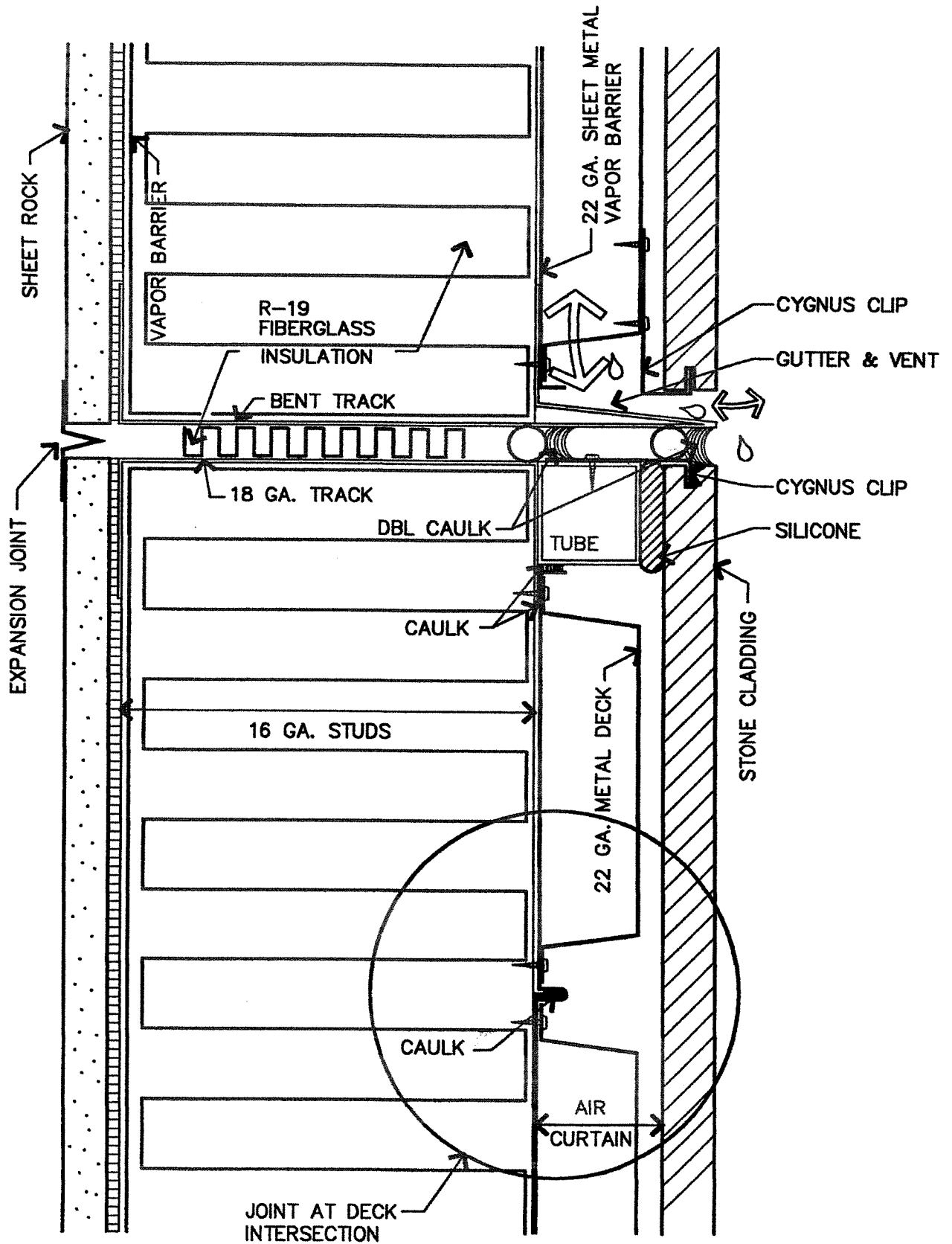


ADJUSTABLE

GRAVITY LOAD CONNECTION  
 @ COLUMNS

11-19-88

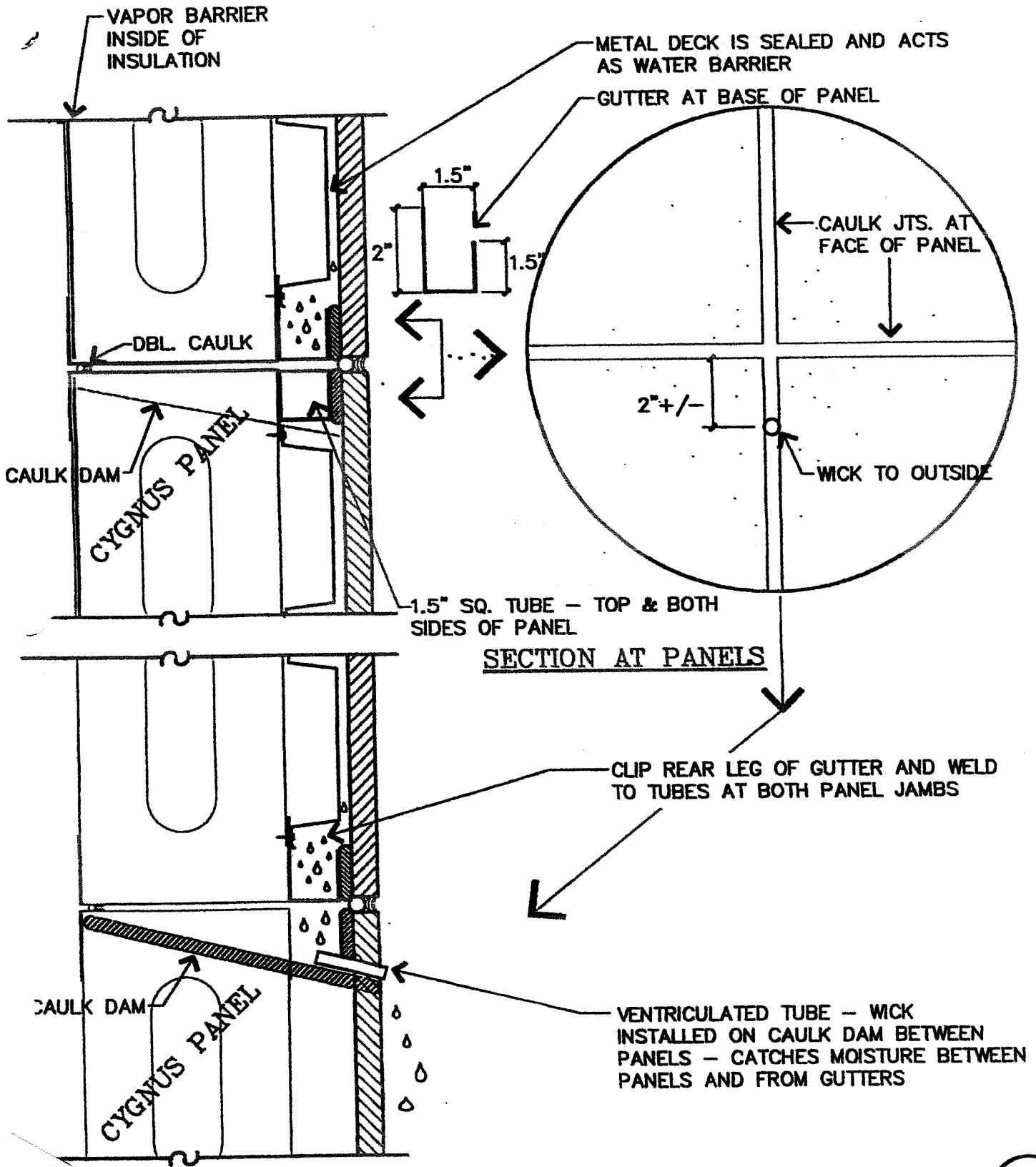




STONE THICKNESS MAY VARY

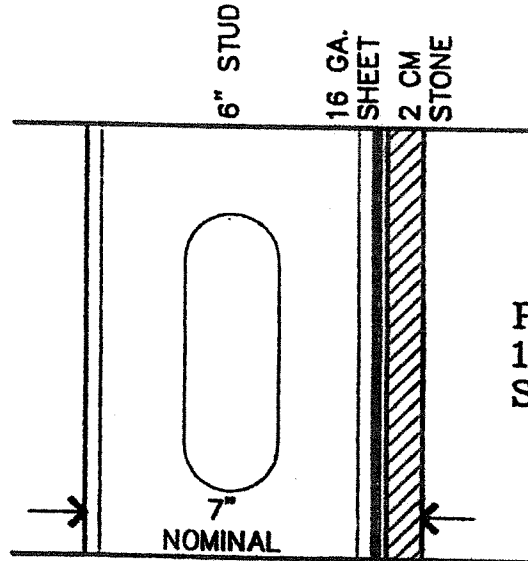
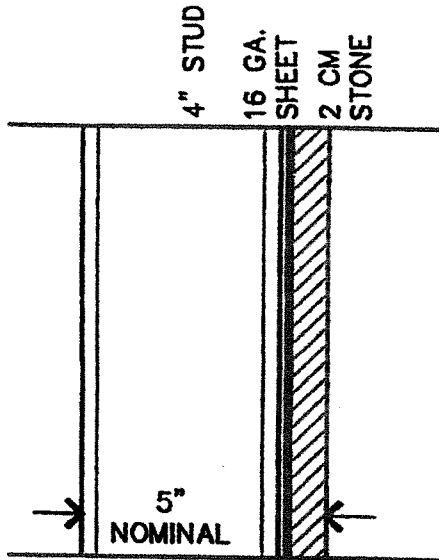
D18

RAIN SCREEN WALL

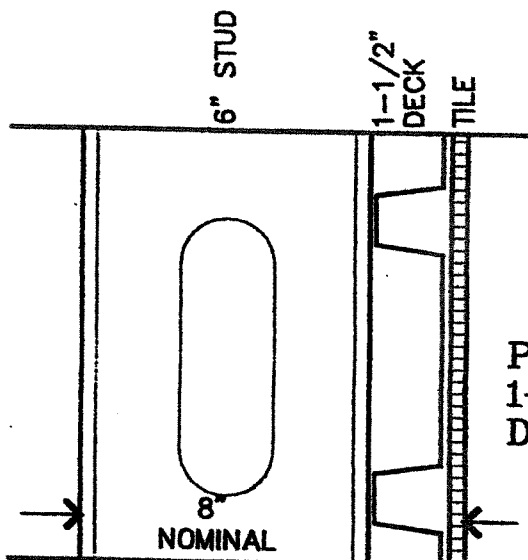
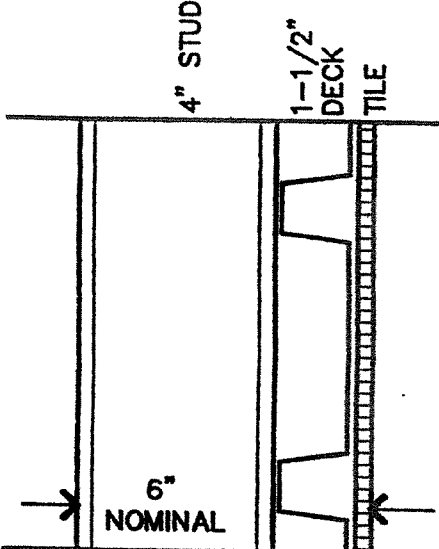


SECTION AT PANEL JOINT

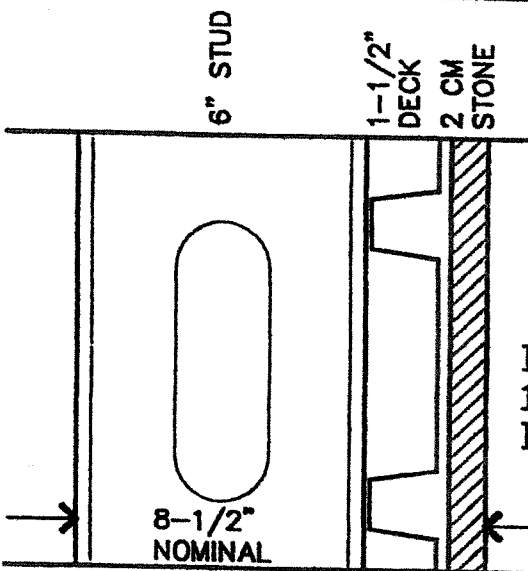
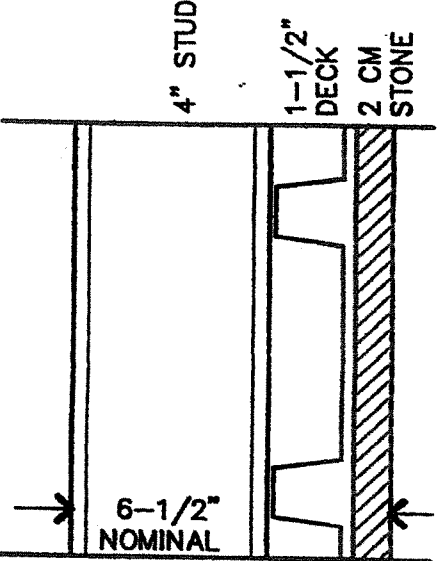
D19



PANEL USING  
16 GA. FLAT  
SHEET



PANEL USING  
1-1/2" x 22 GA.  
DECK



PANEL USING  
1-1/2" x 22 GA.  
DECK

NOTE: ADDITIONAL PANEL WIDTHS  
ARE POSSIBLE USING OTHER  
STUD SIZES